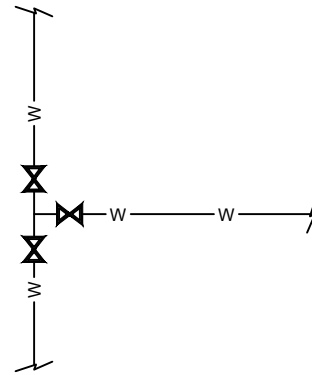
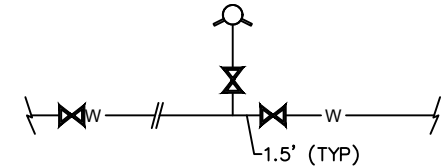


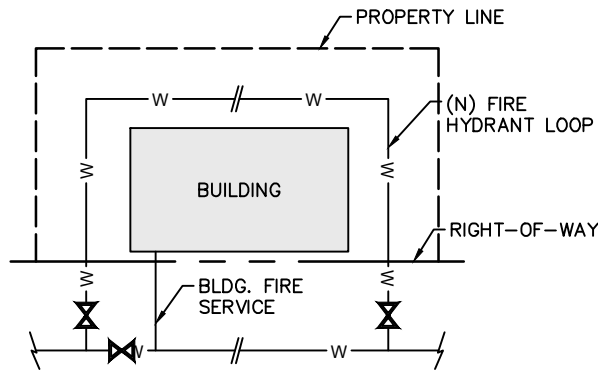
DETAIL 1
 OFFSET TEE CONNECTION
 IN LIEU OF CROSS CONNECTION
 N.T.S



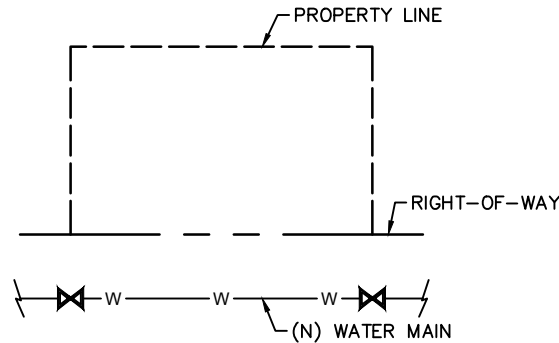
DETAIL 2
 TEE CONNECTION
 N.T.S



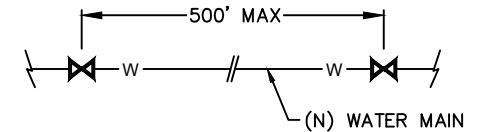
SEE NOTE 1
DETAIL 3
 FIRE HYDRANT
 N.T.S



SEE NOTE 2
DETAIL 4
 FIRE HYDRANT LOOP SERVICE
 N.T.S



DETAIL 5
 WATER MAIN REPLACEMENT
 FOR NEW DEVELOPMENTS
 N.T.S



SEE NOTE 3
DETAIL 6
 WATER MAIN ISOLATION
 N.T.S

NOTES:

1. LOCATION OF VALVE ADJACENT TO FIRE HYDRANT SHALL BE PLACED TO PROVIDE FOR FLUSHING OF WATER MAIN. VERIFY LOCATION WITH CITY'S WATER AND SEWER INSPECTOR.
2. NEW FIRE SERVICES SHALL COMPLY WITH CITY FIRE DEPARTMENT REQUIREMENTS.
3. VALVES SHALL BE INSTALLED AFTER EVERY THREE MAJOR CONNECTIONS (WATER SERVICES GREATER THAN 3", FIRE SERVICES, AND FIRE HYDRANTS).



Drawn By: MITCHELL S.

Checked By: AHMED A. / JAMES M.

Approved By: SHILPA M.

Revised Date: 2/1/2023

Signature:

Director of
 Water and Sewer Utilities

CITY OF SANTA CLARA
 WATER AND SEWER UTILITIES - STANDARD NO. 15

TYPICAL WATER MAIN VALVE PLACEMENTS