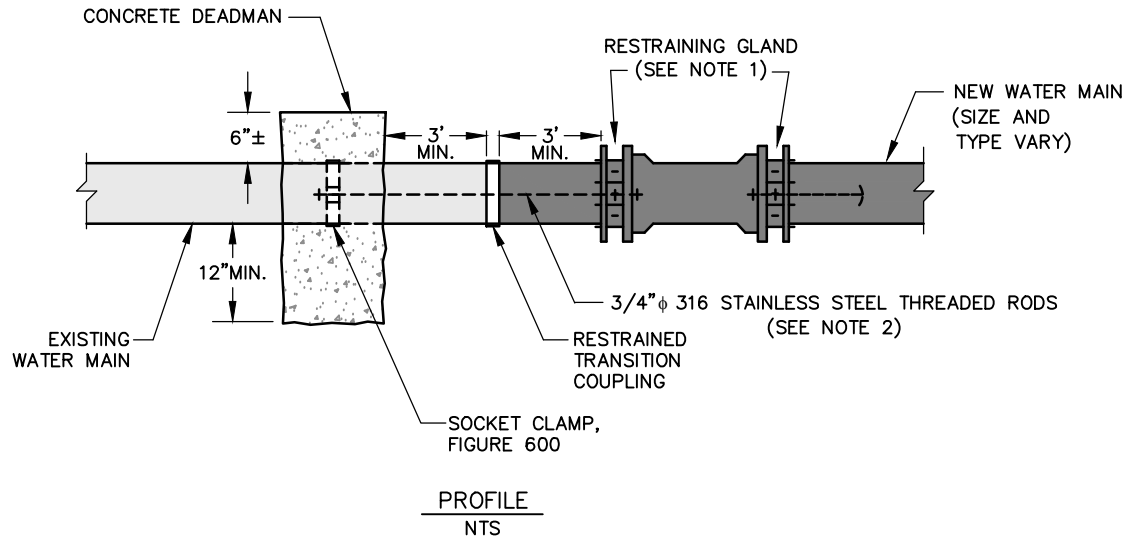
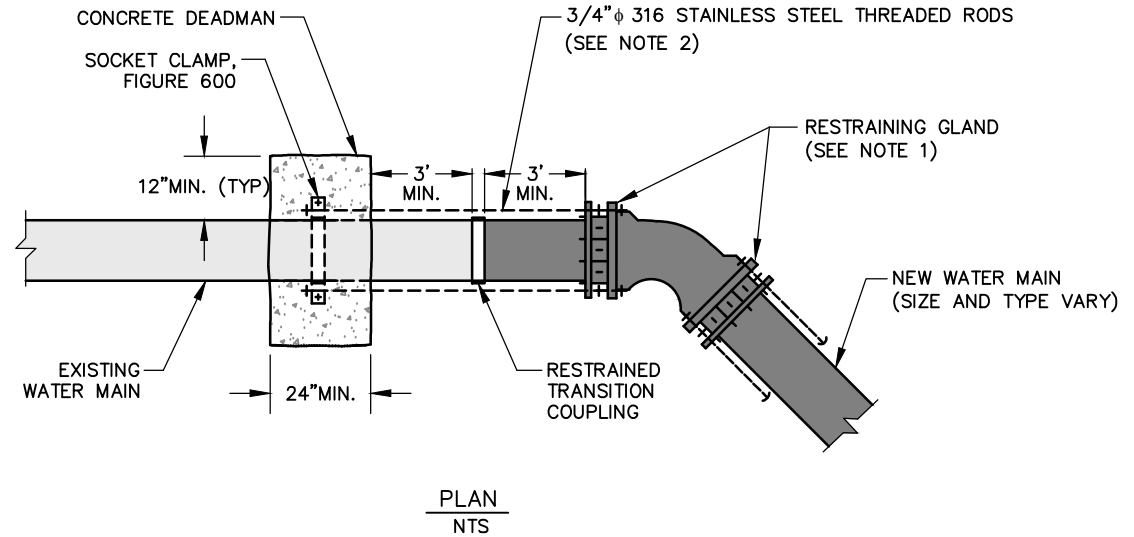


NOTES:

- FOR DIP & PVC, USE DEADMAN W/ SOCKET CLAMP WITHOUT 3/4"φ 316 STAINLESS STEEL THREADED RODS. USE RESTRAINING GLANDS ON FITTINGS AS INSTRUCTED BY WATER DEPT. INSPECTOR.

RESTRAINING GLAND	MANUFACTURER	MODEL
	US PIPE	MJ FIELD LOK
	EBAA	MEGA LUG SERIES 1100
	KRAUSZ	HYMAX GRIP

- FOR ACP & CIP, USE DEADMAN W/ SOCKET CLAMP AND 3/4"φ 316 STAINLESS STEEL THREADED RODS TO FITTINGS, EQUALLY SPACED.
- USE OTHER ADDITIONAL RESTRAINTS AS DIRECTED BY WATER DEPT. INSPECTOR.
- FOR MAINS 8" OR LESS, USE ONE SOCKET CLAMP AND TWO 3/4"φ 316 STAINLESS STEEL THREADED RODS, EQUALLY SPACED, WHERE REQUIRED.
- FOR 10" & 12" MAINS, USE TWO SOCKET CLAMPS AND FOUR 3/4"φ 316 STAINLESS STEEL THREADED RODS, EQUALLY SPACED, WHERE REQUIRED.
- CONCRETE SHALL BE 6 SACK - 2" SLUMP - 3/4" ROCK WITH NO ADDITIVES FOR HIGH EARLY STRENGTH.
- DIMENSIONS BASED ON 150 PSI WATER PRESSURE AND 2000 PSF ALLOWABLE SOIL BEARING CAPACITY FOR 12" MAIN.
- USE SS BOLTS, NUTS AND WASHERS FOR ALL FLANGE CONNECTIONS.



Drawn By: DUC L. / MITCHELL S.
 Checked By: AHMED A. / JAMES M.
 Approved By: SHILPA M.
 Revised Date: 2/1/2023

Signature:

 Director of
 Water and Sewer Utilities

CITY OF SANTA CLARA
 WATER AND SEWER UTILITIES - STANDARD NO. 22
CONCRETE REVERSE THRUST BLOCK