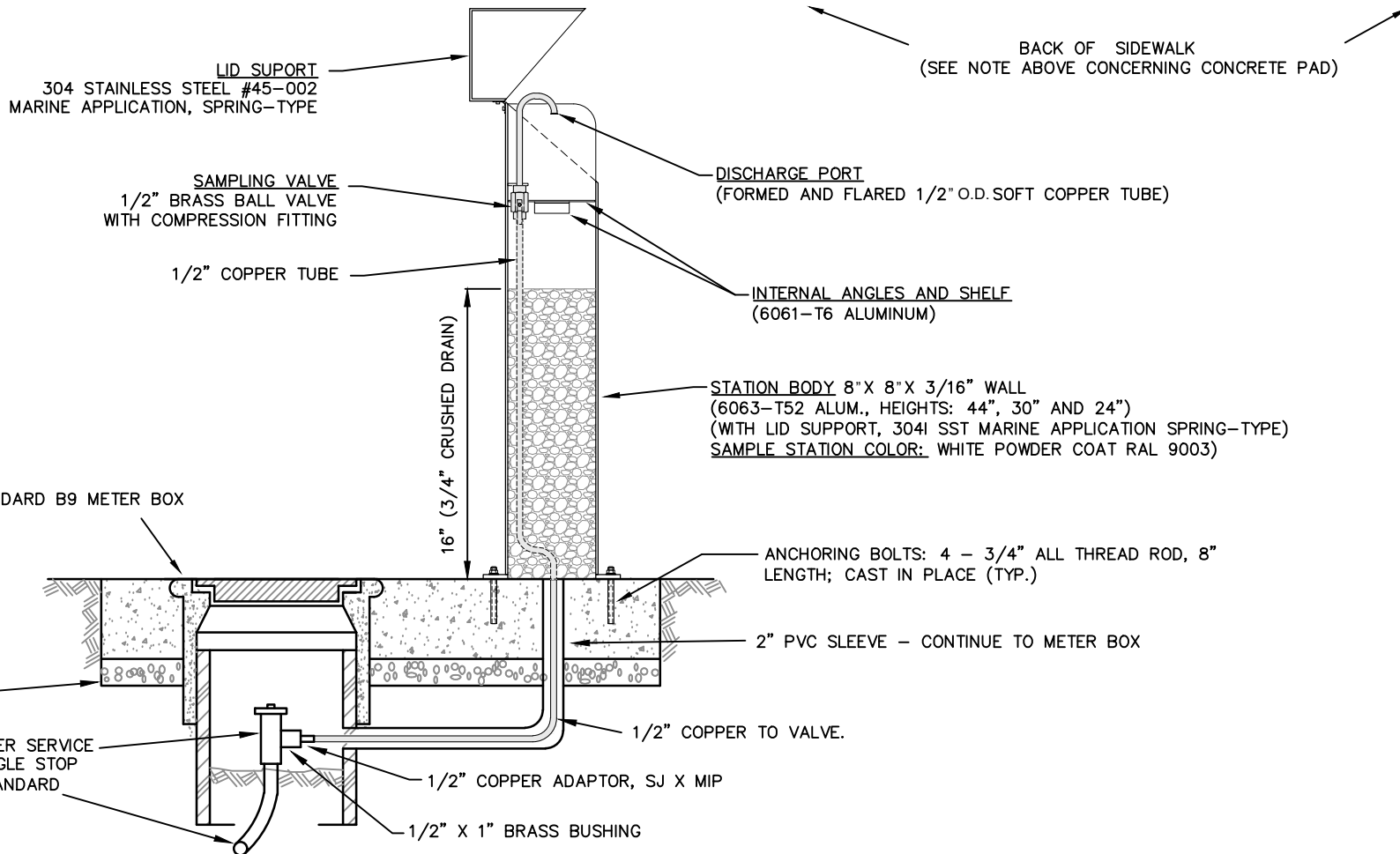
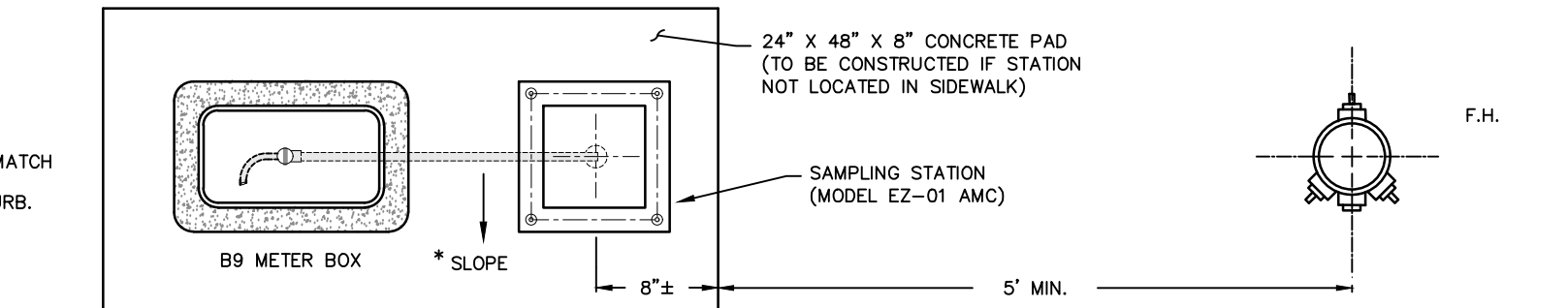



\* SLOPE 2% TOWARD CURB TO MATCH POSSIBLE FUTURE SIDEWALK IF CONSTRUCTED AT BACK OF CURB.



Drawn By: DUC L.  
 Checked By: AHMED A. / JAMES M.  
 Approved By: SHILPA M.  
 Revised Date: 2/1/2023

Signature:  
  
 Director of  
 Water and Sewer Utilities

CITY OF SANTA CLARA  
 WATER AND SEWER UTILITIES - STANDARD NO. 29

**WATER SAMPLING STATION**