



**2022 CALIFORNIA BUILDING CODE - SECTION 11B-213 & DIVISION 6
GENERAL REQUIREMENTS FOR TOILET & BATHING FACILITIES**

❖ **General (CBC 11B-213)**

Where toilet and bathing facilities are provided, **EACH** toilet and bathing room shall be accessible to persons with disabilities (comply with CBC 11B-603) and shall be on an accessible route connected to accessible entry.

Exception:

1. Where toilet and bathing facilities are provided in buildings without a ramp or elevators above and below the first floor permitted by CBC 11B-206.2.3 Exception 1, accessible toilet and bathing facilities shall be provided on a story connected by an accessible route to an accessible entrance.
2. In alterations where it is technically infeasible to comply with CBC 11B-603, altering existing toilet or bathing room shall not be required where a single accessible unisex toilet room or bathing room complying with CBC 11B-213.2.1 is provided and located in the same area and on the same floor as existing inaccessible toilet or bathing rooms. (CBC 11B-213.2 Exception 1)

Where existing toilet rooms or bathing rooms do not comply with CBC 11B-603, directional signs indicating location of the nearest accessible toilet room or bathing room within the facilities shall be provided. (CBC 11B-216.8)

❖ **Unisex Facilities**

When is a unisex toilet room allowed? (CPC 422.2 Exceptions):

1. In occupancies with a total occupant load of 10 or less, including customers and employees.
2. In business and mercantile occupancies with a total occupant load of 50 or less including customers and employees.

Number of required accessible unisex toilet rooms:

1. Where multiple single user toilet rooms are clustered at a single location, 50 percent, but no fewer than one, of the unisex toilet rooms at each cluster shall be accessible. (CBC 11B-213.2 Exception 4)
2. Accessible unisex toilet rooms shall be identified by the International Symbol of Accessibility complying with CBC 11B-703.7.2.1. (CBC 11B-216.8).
3. Doors to unisex toilet rooms and bathing rooms shall have privacy latches. (CBC 11B-213.2.1)

❖ **Children's Facilities**

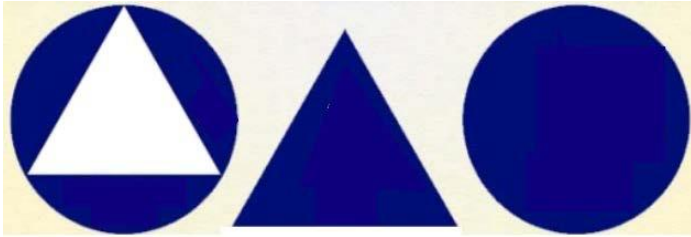
1. Water closets and toilet compartments for children's use shall comply with CBC 11B-604.9.

<i>SUGGESTED DIMENSIONS FOR WATER CLOSETS SERVING CHILDREN AGES 3 THROUGH 12</i>			
	Ages 3 and 4	Ages 5 through 8	Ages 9 through 12
Water Closet Centerline	12 inches (305 mm)	12 to 15 inches (305 to 381 mm)	15 to 18 inches (381 to 457 mm)
Toilet Seat Height	11 to 12 inches (279 to 305 mm)	12 to 15 inches (305 to 381 mm)	15 to 17 inches (381 to 432 mm)
Grab Bar Height	18 to 20 inches (457 to 508 mm)	20 to 25 inches (508 to 635 mm)	25 to 27 inches (635 to 686 mm)
Dispenser Height	14 inches (356 mm)	14 to 17 inches (356 to 432 mm)	17 to 19 inches (432 to 483 mm)

2. Grab bars in water closets for children's use shall be installed in a horizontal position 18" min. and 27" max. above finished floor measured to the top of gripping surface. (CBC 11B-609)

❖ **Door Mounted Signage: (CBC 11B-216.8 & 11B-703.7.2.6)**

- a. Men: A 1/4" thick equilateral triangle with edge 12" long and vertex upward.
- b. Women: A 1/4" thick circle and 12" in diameter.
- c. Unisex: A 1/4" thick circle and 12" in diameter with a 1/4" thick triangle superimposed on the circle.



Note:

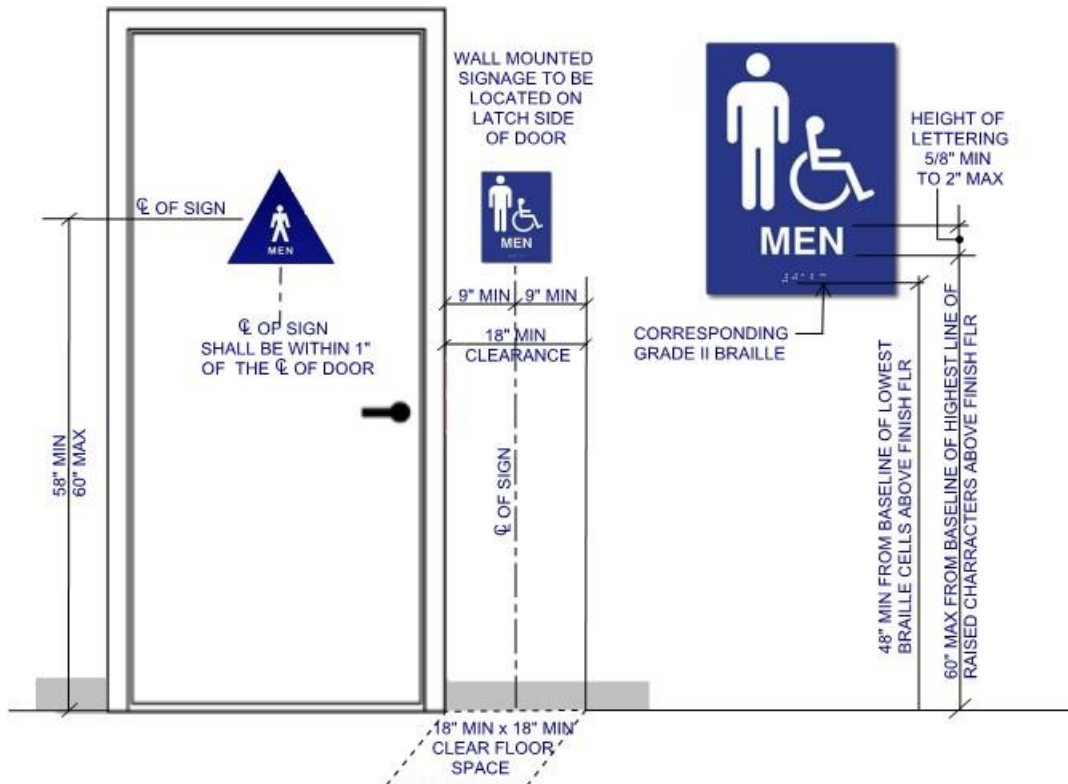
1. Signage shall contrast with the door, either light on a dark background or dark on a light background
2. Pictograms and/or lettering are not required on door-mounted

❖ **Wall Signage: (CBC 11B-703.2 to 11B-703.6)**

Information: Raised characters, pictorial symbols with Grade 2 Braille for permanent rooms and space of a building.



❖ **SIGN INSTALLATION HEIGHT AND LOCATION (CBC 11B-703.4 & 11B-703.7.2.6)**



❖ Accessible Features:

1. Water Closets (CBC 11B-604):

- Location: 17" – 18" from side wall at wheel chair accessible toilet
17" – 19" from side wall in the ambulatory accessible toilet
- Seat height: 17" – 19"
- Flush controls: hand operated or automatic, located on open side.
- Flush control height: Max. 44" above floor
- Minimum clear space around water closet: 60" x 56"
- Maneuvering space in front of water closet: 60" wide x 48" deep

2. Grab bars: (CBC 11B-604.5 & 11B-609)

- Circular section: 1 1/4" – 2" outside diameter
- Non-circular section: Cross section dimension of 2" max and perimeter dimension of 4" min. - 4.8" max.
- Spacing between Wall and Grab bar: 1 1/2".
- Height: 33" – 36" above finish floor measured to the top of bar
- Side Wall Grab Bar: 42" min. long with 24" in front of water closet. Located 12" max from rear wall & extend 54" from rear wall.
- Rear Wall Grab Bar: 36" min. long. Extend from centerline of the water closet 12" min on one side and 24" min on the other side.
- L-shaped grab bar meeting dimensional requirements of side wall and rear wall grab bars shall be permitted.
- Strength: Min. 250 lbs at any point on the grab bar.

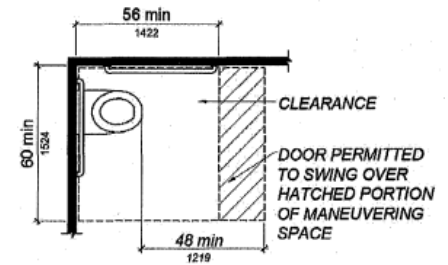


FIGURE 11B-604.3.1
SIZE OF CLEARANCE AT WATER CLOSETS

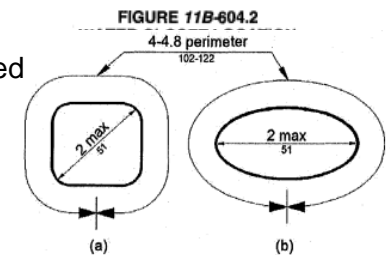
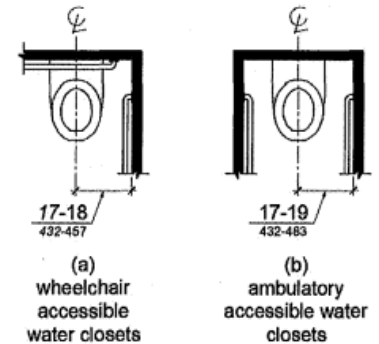


FIGURE 11B-609.2.2
GRAB BAR NON-CIRCULAR CROSS SECTION

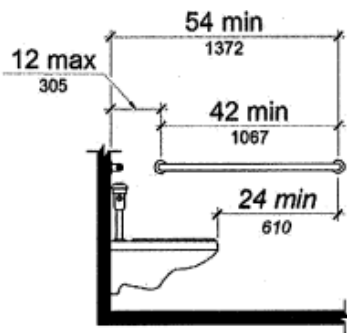


FIGURE 11B-604.5.1
SIDE WALL GRAB BAR AT WATER CLOSETS

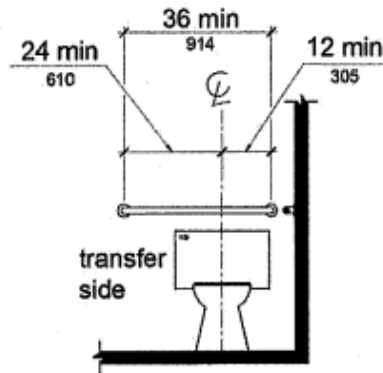
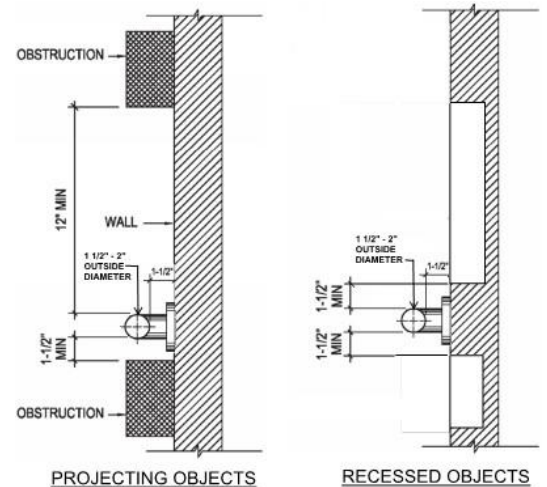
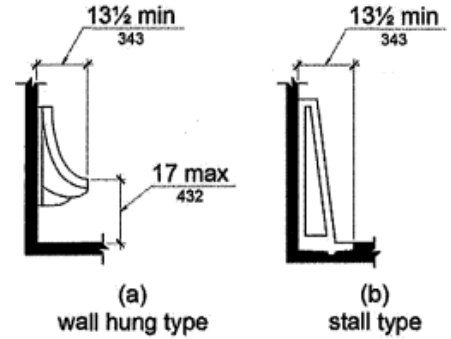


FIGURE 11B-604.5.2
REAR WALL GRAB BAR AT WATER CLOSETS



3. Urinals: (CBC 11B-605):

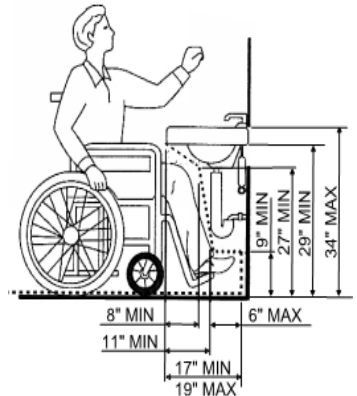
- Clear space: 30" x 48" for forward approach.
- Fixture depth: 13.5" min. from outer face of rim to back of fixture.
- Rim height: 17" max. above finished floor.
- Flush control: Hand operated or automatic.
- Flush control height: 44" max. above finished floor.



4. Lavatories and Sinks (CBC 11B-606):

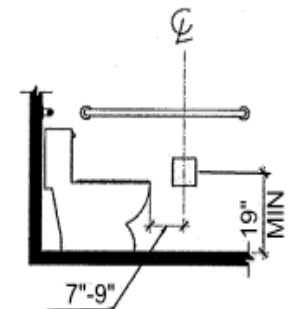
- Clear space: 30" x 48" for forward approach.
- Location: 18" min. from side wall to centerline of the fixture.
- Higher of rim height or counter surface: 34" max. above finished floor.
- Sink depth: 19" max.
- Toe clearance: See requirements in CBC 11B-306.2.
- Knee clearance: See requirements in CBC 11B-306.3.
- Exposed pipes under sink: Water supply & drain pipes to be Insulated.
- Faucet control: Hand operated or automatic shall remain open for 10 sec.

**FIGURE 11B-605.2
HEIGHT AND DEPTH OF URINALS**



5. Toilet Paper Dispensers (CBC 11B-604.7):

- Height: Below grab bar, 19" min. above finished floor.
- Location: 7" min.–9" max. in front of water closet measured from centerline of dispenser
- Type: Continuous paper flow.



**FIGURE 11B-604.7
DISPENSER OUTLET LOCATION**

6. Mirrors (CBC 11B-603.3):

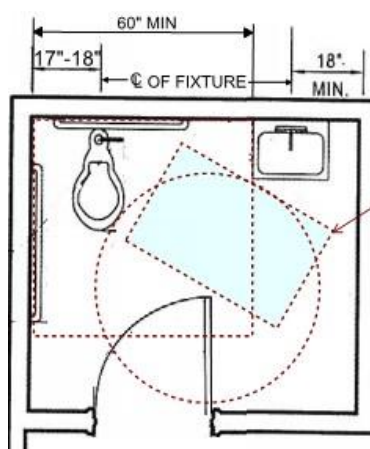
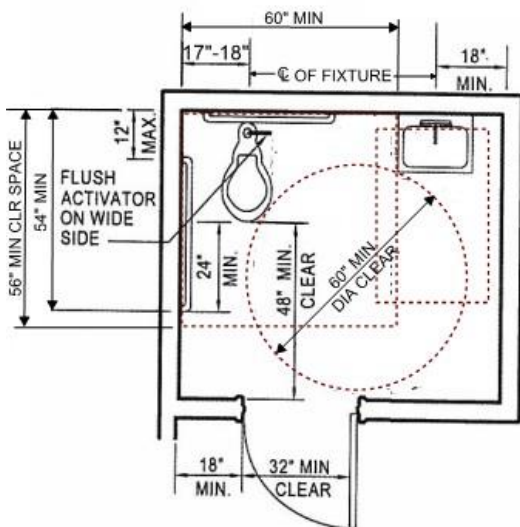
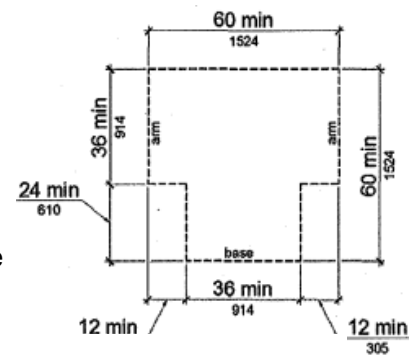
- Located above lavatories or countertops:
At least one with bottom edge of reflecting surface 40" max. above finished floor.
- Other location: bottom edge 35" max. above finished floor.

7. Lockers (CBC 11B-225.2.1):

- 5% min. but no fewer than one of each type shall be accessible (comply with CBC 11B-811)

❖ Single Accommodation Toilets

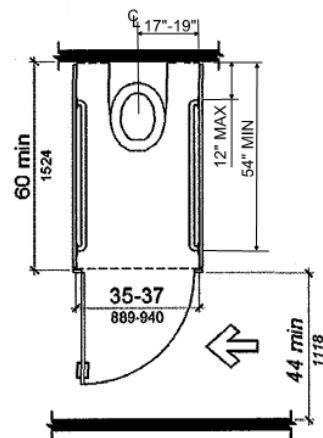
- **Turning Space:** 60" min. diameter clear circular space (CBC 11B-304.3.1) or T-shaped space per figure 11B-304.3.2.
- **Overlap:** Required clear floor spaces, clearance at fixtures, and turning space shall be permitted to overlap (CBC 11B-603.2.2)
- **Door Swing:** Door in any position may encroach into turning space by 12" max. Door shall not swing into the clear floor space or clearance required for any fixtures unless a 30"x 48" clear space is provided within the room beyond the arc of the door swing. (CBC 11B-603.2.3 Exception 2)



IF A 30"x48" CLEAR FLR SPACE IS PROVIDED OUTSIDE THE ARC OF THE DOOR SWING, THE DOOR CAN SWING INTO THE CLEAR FLR SPACE AND CLEARANCE REQUIRED AT THE FIXTURES

❖ Ambulatory Accessible Compartment (CBC 11B-604.8.2)

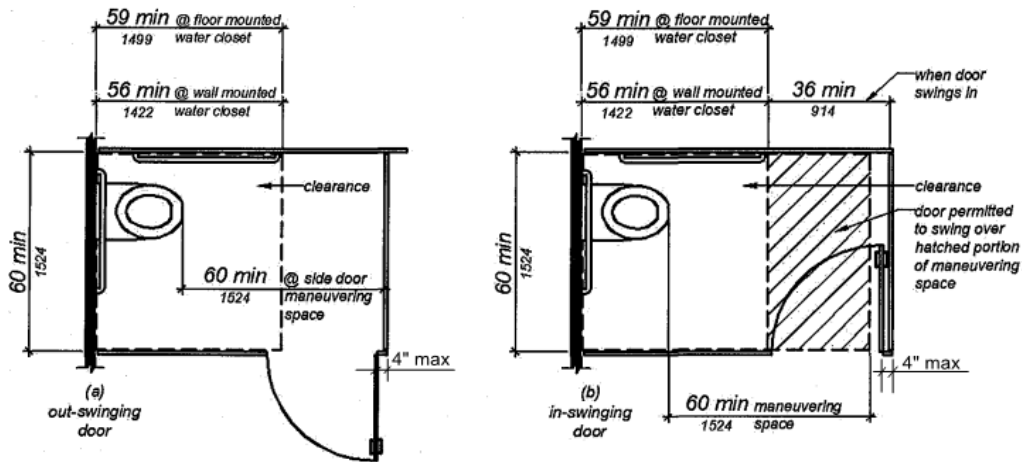
- **When Required:** Where the total of 6 or more toilet compartments (or the combination urinal and water closets) are provided, at least 5% of the total compartments or combination of fixtures, but no fewer than one shall be ambulatory accessible compartment. (CBC 11B-213.3.1)
- **Size:** depth = 60" min.; width = 35" min. – 37" max.
- **Clearance at door:** Shall comply with CBC 11B-404, except if the approach is to the latch side of the compartment door, clearance between the door side of the compartment and any obstruction shall be 44" minimum.
- **Door:** Self closing with door pull on both sides of the door near the latch. Compartment door can't swing into the minimum required compartment area.
- **Side Grab Bars:** 42" min. long grab bar with 24" in front of water closet shall be provided on both sides of the compartment. Locate grab bars 12" max from rear wall & extend 54" from rear wall. (11B-604.8.2.3)



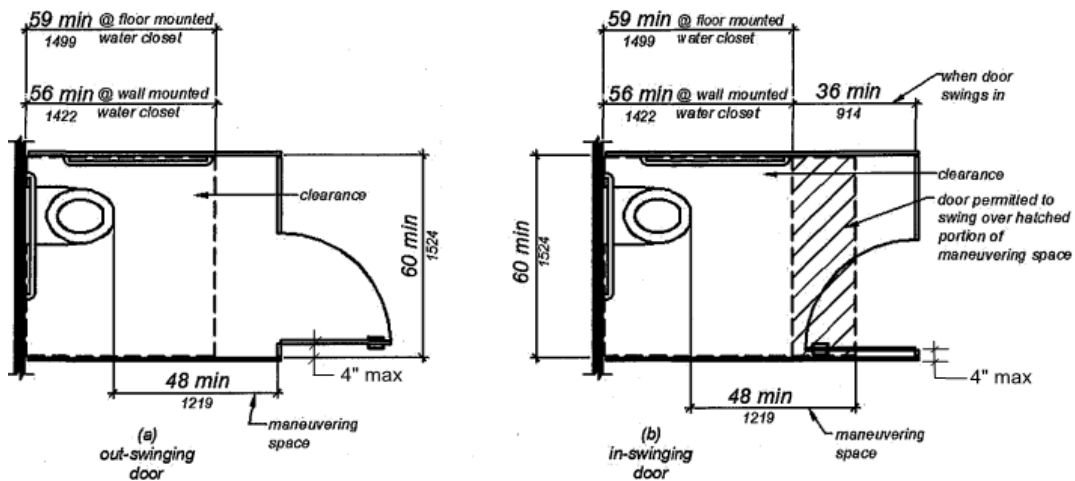
11B-604.8.2
AMBULATORY ACCESSIBLE TOILET COMPARTMENT

❖ **Wheelchair Accessible Compartments (CBC 11B-604.8.1)**

- **Size:** Width = 60" min.; Depth = 56" min for wall hung water closet
59" min for floor mounted water closet
- **Maneuvering Space with Side-opening Door:** See figure 11B-604.8.1.1.2.
Door located in the side wall shall be 4" max. from the front partition, farthest from the water closet.
- **Maneuvering Space with End-opening Door:** See figure 11B-604.8.1.1.3
Door in the front partition shall be 4" max. from the side wall or partition, farthest from the water closet.
- **Door:** Self closing with door pull on both sides of the door near the latch. Door shall not swing into the clear floor space or clearance required for any fixture. Doors may swing into that portion of maneuvering space which does not overlap the clearance required at a water closet. (11B-604.8.1.2)
- **Side Grab Bars:** Provide rear and side grab bars per 11B-604.5. (L-shaped grab bars are permitted)



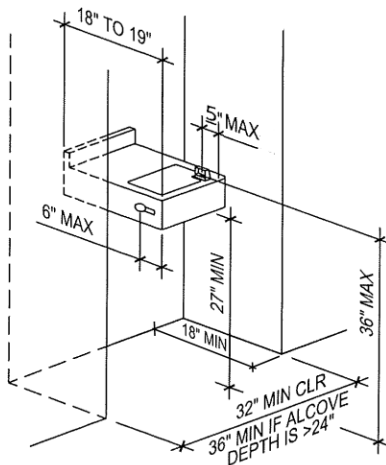
**FIGURE 11B-604.8.1.1.2
MANEUVERING SPACE WITH SIDE-OPENING DOOR**



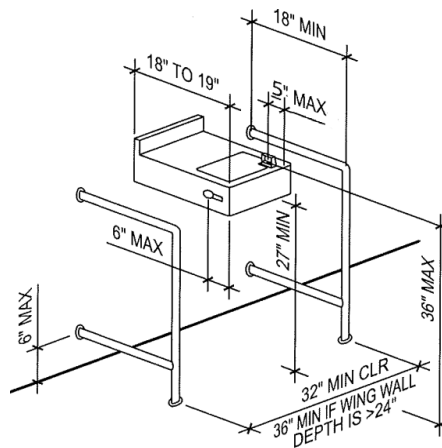
**FIGURE 11B-604.8.1.1.3
MANEUVERING SPACE WITH END-OPENING DOOR**

❖ Drinking Fountains (CBC 11B-211, 11B-307 & 11B-602)

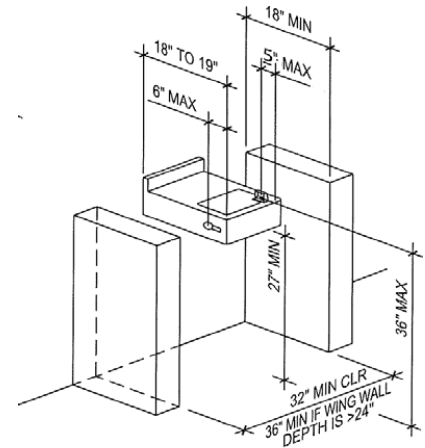
- **Application:** No fewer than two drinking fountains shall be provided per floor. One drinking fountain shall be accessible (comply with CBC sections 11B-602.1 through 11B-602.6, 11B-602.8 and 11B-602.9) and one drinking fountain shall be for a standing person (comply with CBC 11B-602.7 and 11B-602.9)
- **Location:** All drinking fountains shall either be located completely within alcoves, positioned completely between wing walls or otherwise positioned so as not to encroach into pedestrian ways.
- **Alcove Dimension:** 32" min. wide x 18" min. deep.
36" min. wide where the depth exceeds 24". (11B-305.7.1)
- **Clear Floor Space:** 30" x 48" for forward approach centered at a low drinking fountain.
- **Knee and Toe Clearance:** See requirements in CBC 11B-306.2 & 11B-306.3.
- **Depth:** 18"-19" for wall and post mounted cantilevered drinking fountain.
- **Spout Height:** 36" max. above floor at low drinking fountain.
38" - 43" above floor at high drinking fountain. (11B-602.7)
- **Spout Location:** 15" min. from supporting wall and 5" max. from front edge of unit.
- **Control:** Manually operated system that is front mounted, or side mounted and located within 6" of the front edge of the fountain or an automatic electronically controlled device. (CBC 11B-602.3)



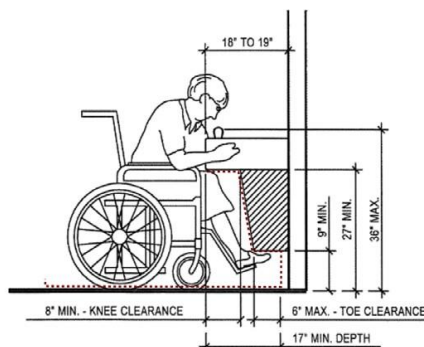
(a) ALCOVE INSTALLATION



(b) NONALCOVE WING WALL INSTALLATION

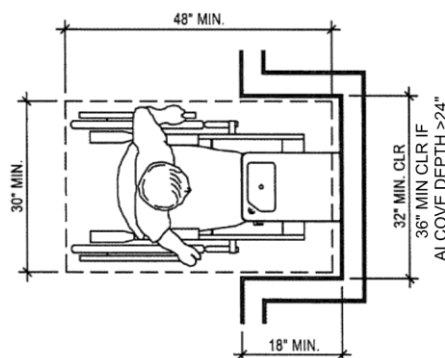


(c) NONALCOVE SOLID WING WALL INSTALLATION



* EQUIPMENT PERMITTED IN SHADED AREA

SPOUT HEIGHT AND KNEE CLEARANCE
AT DRINKING FOUNTAINS



CLEAR FLOOR SPACE
AT DRINKING FOUNTAINS

FIGURES – DRINKING FOUNTAIN